

**GEEPHON**

# **Outdoor Enclosure Green Signage Specification**

**BAA5522A-BB-65**

**Professional Low-CO<sub>2</sub> Eco-Bright Display Leading Provider**

# Outdoor Enclosure Green Signage

- 2K / 4K – Local Dimming Mini-LED
- Up to 6500 cd/m<sup>2</sup>
- IPS panel and anti reflective glass, IK10
- IP66
- Heat exchange technology
- Smart brightness control sensor
- Enhanced brightness and high color saturation in direct sunlight
- Up to 45% power saving
- Ultra thin with 120mm depth ( Single sided )



# Outdoor Enclosure Green Signage

### Flexible and Multiple Ways to Integrate

Variety of installation methods:  
Floor standing installation & ceiling installation.  
Extended mode that supports splicing of multiple screens.



#### • Optimal Visual Clarity

- High-performance image processor
- Delivers true color expression and high resolution
- Offers adjustable picture quality and white balance



#### Green Technology

- Features ultra-low power consumption.
- Achieves energy savings of up to 45%.



#### • Outdoor Optimized High-Bright Display

- Achieves 6500 cd/m<sup>2</sup> for exceptional brightness
- Ensures excellent visibility in direct sunlight
- Smart light sensor for optimal brightness adjustment
- Polarized sunglasses compatible



#### • Local Dimming Innovation

- Implements LDM with an extensive number of zones
- Achieves an ultra-high contrast ratio up to 650,000:1



#### • Enhanced Component Design

- Lightweight design for easy handling
- High-strength aluminum alloy for durability
- Modular components facilitate maintenance and replacement



#### • CMS / Remote Management Support(optional)

- Cloud-based remote management (CetusMSC) and CMS platform (GalaxyASC) support
- Real-time monitoring of display status, parameters adjustment, and content distribution
- Remote control via PC and smart phone



#### • Industry Top quality Heat Exchange Innovation

- Tailored for outdoor scenarios, featuring Geephon's proprietary patent
- Facilitates device heat dissipation while requiring no maintenance
- Significantly extends product lifespan



#### • Quiet Cooling System

- Incorporates a high-flux low-noise fan and intelligent algorithms.
- Utilizes sensor data to optimize heat dissipation while minimizing noise levels
- Specially engineered for noise-free operation



#### • Energy Metering and Protection Module

- Support the measuring of active energy
- Remote power on-off function
- Surge/lightning protection
- Carbon credits calculation function (optional)



#### • Built-in Multiple Sensors

- Temperature sensor
- Humidity sensor
- Door opening sensor
- Shock sensor
- Ambient light sensor
- Pixel sensor (optional)

## BAA5522A-BB-65

### Specification

#### Hardware Specification

Panel	IPS
Display Size	55 inch
Protection Glass	AR High Permeability Glass
Protection Level	IP 66
Front Color	Black
Shell	Aluminum
Set Dimension (L*W*D)	1337.6 x 808.4 x 121.6mm
Bezel Width Width	63mm (L/R /H/V)
Active Display Area (H*V)	1209.6 x 680.4mm
Resolution	1080 x 1920
Type	MiniLED BLU
Brightness	7000 nits(Typ.), 6500 nits(Min.)
Contrast Ratio(Typ.)	650000:1
Viewing Angle(H/V)	178°(H) x 178°(V)(CR≥10)
Display Colors	16.7M
Color Gamut	72%
Response Time	6ms (Typ)
Operation Hour	24/7
Panel Orientation	Portrait
Smart Solution	PTC.DT1AHE-LAB
Connectivity	USB2.0*2, HDMI In*2, HDMI Out*1, Ethernet(RJ45)*2, RS232(RJ45)*1, Line Out*1
Power	Input Supply: 100-240V AC, 50/60Hz Max power: 670W
Power Consumption	Average power (under IEC): 310W Max power with heating module: 1000W
Speaker	5W/8Ω *2 (Optional)
IR	Yes
Touch	Optional
Camera	Optional
Installation Methods	Floor Standing / Wall Mounting / Hanging
Package(W*H*D)	1488 x 960 x 262mm
Net Weight	89kg
Operating Temperature	-40°C ~ +50°C
Storage	-20°C ~ +60°C

#### System Specification

CPU	ARM Quad Core Cortex-A53 1.5G
GPU	Arm Mali-G52 2EE MC1
Operating System	Android 9
Screen Health	Smart Backlight Control - Yes Smart Temperature Control - Yes
Remote Management	Smart Fans Control - Yes Smart Monitoring System Cloud - Yes/CetusMSC Overheating Protection - Yes
Cloud Advertising	Optional
Distribution System	Optional
Cloud Splice System	Optional
Memory	DDR 2G
Storage	EMMC 16GB
Ethernet	Ethernet (RJ45) WiFi 802.11b/g/n 4G LTE(FDD/TDD) (Optional)
Video Decoder	MPEG-1/2/4,H.264,HEVC,VP8,VP9,AVS+,AVS2,AV1
Audio Decoder	MPEG-1,MPEG-2(layerI/II) MP3,AAC-LC,HE-AAC
Picture Decoding	JPG, JPEG, PNG, BMP

#### What's in the box

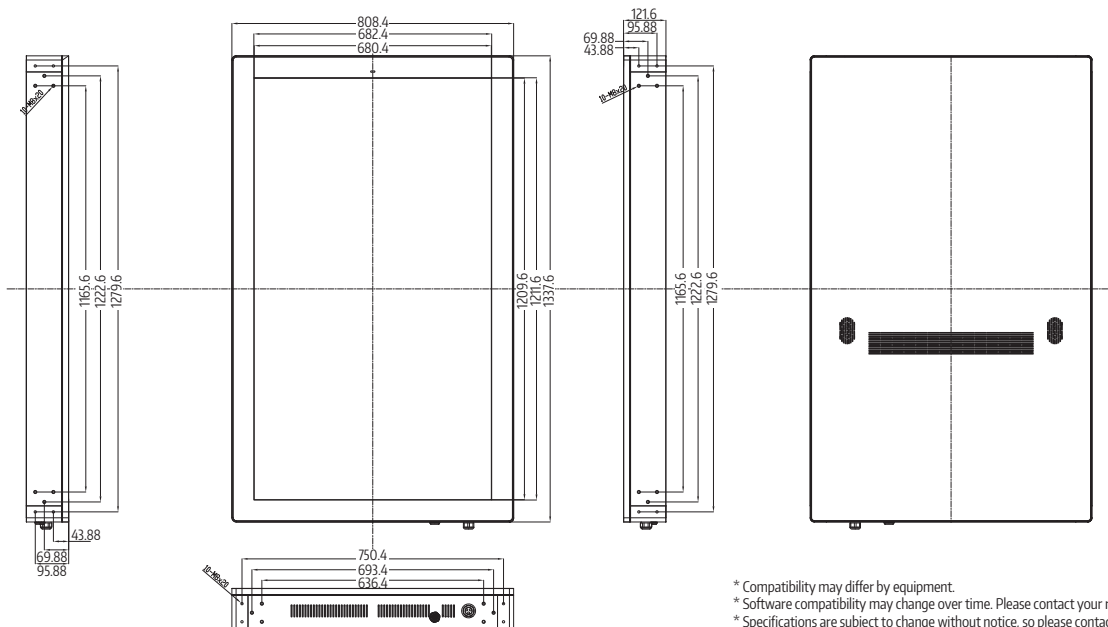
Remote Controller	x 1
RS232 Adaptor	x 1
Door Key	x 1

#### Warranty

Warranty	Three years or by contract
----------	----------------------------

#### Dimensions

Unit: mm



\* Compatibility may differ by equipment.  
\* Software compatibility may change over time. Please contact your regional sales representative for details.  
\* Specifications are subject to change without notice, so please contact sales team to verify before ordering