

Open Frame BOC Series



The Open Frame BOC series draws inspiration from the Omni-channel concept, offering clients a customizable design to tailor indoor displays to their unique needs. With the groundbreaking Gvision™ vibrant colors, business owners can effortlessly showcase advertisements while easily managing and updating content. The GComponent™ space-saving and eco-friendly design ensures seamless integration across various applications, boasting simple installation, cost-effectiveness, superior heat dissipation, and extended screen longevity.

BOC6523A-AA-07



• Optimal Visual Clarity

- High-performance image processor.
- Delivers true color expression and high resolution.
- Offers adjustable picture quality and white balance.



• Extended Product Warranty

- Engineered for long-term durability.
- Guarantees reliable 24/7 operation.
- Comprehensive warranty ensures customer satisfaction and confidence.



• Enhanced Component Design

- Lightweight design for easy handling.
- Constructed with high-strength aluminum alloy for durability.
- Modular components facilitate maintenance and replacement.



• Anti-reflection Anti-glare Surface

- Higher haze panel
- Anti-reflection and anti-glare effects.



• Open API & SDK Support and RS232 Compatible



• Landscape/Portrait Compatible

- Portrait and landscape display orientations.

Specification

Hardware Specification

Panel	IPS
Display Size	65 inch
Protection Glass	N/A
Protection Level	IP 5X (Front Panel)
Front Color	Black
Set Dimension (L*W*D)	1450.28 x 825.32 x 52.4mm
Bezel Width Width(mm)	9.9mm
Active Display Area(H*V)	1428.48 x 803.52mm
Resolution	3840 x 2160
Type	60Hz E-LED BLU
Brightness(Typ.)	700 cd/m ²
Contrast Ratio(Typ.)	1200:1
Haze	25%
Viewing Angle(H/V)	178°(H) x 178°(V)(CR≥10)
Display Colors	1.07G
Color Gamut	72%
Response Time	8ms (Typ)
Operation Hour	24/7
Smart Solution	PTC.DT1AHE MNT
Connectivity	USB2.0*1, HDMI In*1, RS232(RJ45)*1, Audio Out*1, Sensor*1, IR In*1
Power Input Supply	100-240V AC, 50/60Hz
Power Consumption	230W
Speaker	N/A
IR	N/A
Touch Technology	N/A
Camera	N/A
Installation	Wall mount
VESA Mount	400 x 500mm
Package(W*H*D)	TBD
Weight (kg)	N.W: TBD G.W: TBD
Operating Temperature	0°C ~ +40°C
Storage Temperature	-10°C ~ +60°C

System Specification

CPU	N/A
GPU	N/A
Operating System	N/A
Cloud Advertising	N/A
Distribution System	N/A
Cloud Splice System	N/A
Memory	N/A
Storage	N/A
Ethernet	Ethernet (N/A)
	WiFi (N/A)
	4G LTE (N/A)

What's in the box

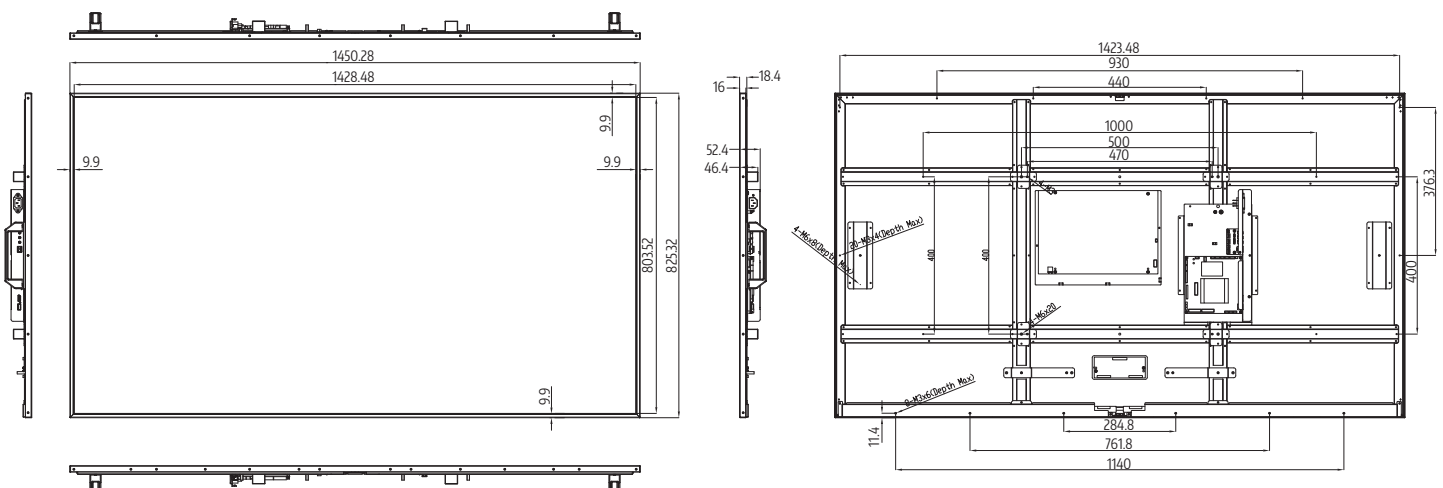
Power Cable	N/A
Remote Controller	Optional
IR Receiver	Optional
RS232 Adaptor	Optional

Warranty

Warranty	Three year or by contract
----------	---------------------------

Dimensions

Unit: mm



* Compatibility may differ by equipment.
 * Software compatibility may change over time. Please contact your regional sales representative for details.
 * Specifications are subject to change without notice, so please contact sales team to verify before ordering.