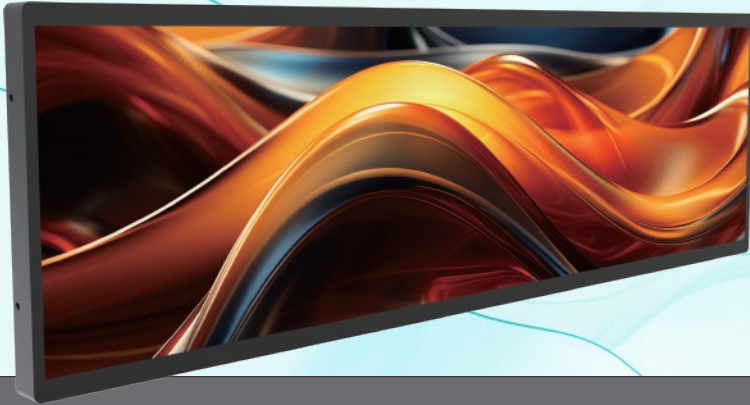


## Stretched Display BSC Series



Geephon BSC series of smart stretched displays is ideal for retail product display. With the splicing feature, it's able to display products any way you want. Widely used in supermarkets, shops, shopping malls, banks, transportation, metro, bus, hotel, government places, etc

BSC2923A-AA-07



### • Optimal Visual Clarity

- High-performance image processor.
- Delivers true color expression and high resolution.
- Offers adjustable picture quality and white balance.



### • Extended Product Warranty

- Engineered for long-term durability.
- Guarantees reliable 24/7 operation.
- Comprehensive warranty ensures customer satisfaction and confidence.



### • Enhanced Component Design

- Lightweight design for easy handling.
- Constructed with high-strength aluminum alloy for durability.
- Modular components facilitate maintenance and replacement.



### • GPlay Convenient U disk

- Simply insert the U disk for automatic content copying and playback on the device upon booting



### • Fail Over Support

### • IPS Panel



### • CMS / Remote Management Support (optional)

- Cloud-based remote management (CetusMSC) and CMS platform (GalaxyASC) support.
- Real-time monitoring of display status, parameters adjustment, and content distribution.
- Remote control via PC and Smart phone.



### • 178° Wide Viewing Angle



### • Open API & SDK Support and RS232 Compatible

### • Built-in Speaker



### • OTA Firmware Update

- Enables remote firmware and application updates.
- Designed for seamless upgrades.



### • Landscape/Portrait Compatible

- Portrait and landscape display orientations.

## Specification

### Hardware Specification

Panel	IPS
Display Size	29 inch
Protection Glass	N/A
Protection Level	IP 5X (Front Panel)
Front Color	Black
Shell	Aluminum
Set Dimension (L*W*D)	722.8 x 228.25 x 49.1 mm
Active Display Area (H*V)	705.6 x 198.45mm
Resolution	1920 x 540
Type	E-LED BLU
Brightness(Typ.)	700 cd/m <sup>2</sup>
Contrast Ratio(Typ.)	1200:1
Viewing Angle(H/V)	178°(H) x 178°(V)(CR≥10)
Display Colors	16.7M
Color Gamut	72%
Response Time	15ms (Typ)
Operation Hour	24/7
Panel Orientation	Landscape/ Portrait
Smart Solution	PTC.DT1AHE-LAB
Connectivity	USB2.0*2, HDMI In*2, HDMI Out*1, Ethernet(RJ45)*2
Power	Input Supply: 100-240V AC , 50/60Hz
Power Consumption	40W
Speaker	2W/8Ω *2
IR	N/A
Touch	N/A
Camera	N/A
Installation	Wall mount
VESA Mount	200 x 100mm
Package(W*H*D)	800 x 350 x 310mm
Weight (kg)	N.W: 4.82 kg G.W: 21.65kg(4 Pcs inside)
Operating Temperature	0°C ~ +40°C
Storage	-10°C ~ +60°C

### System Specification

CPU	ARM Quad Core Cortex-A53 1.5G
GPU	ARM Mali-G52 2EE MC1
Operating System	Android 9
Cloud Advertising	Optional
Distribution System	
Cloud Splice System	Optional
Memory	DDR 2G
Storage	EMMC 16GB
	Ethemnet (RJ45)
Ethernet	WiFi 802.11b/g/n
	4G LTE(FDD/TDD) (Optional)
Panel Image Rotation	0/90/180/270/360 Angle Rotation
Video Decoder	MPEG-1/2/4,H.264,HEVC,VP8,VP9,AVS+,AVS2,AV1
Audio Decoder	MPEG-1,MPEG-2(layerI/II) MP3,AAC-LC,HE-AAC
Picture Decoding	JPG, JPEG, PNG, BMP

### What's in the box

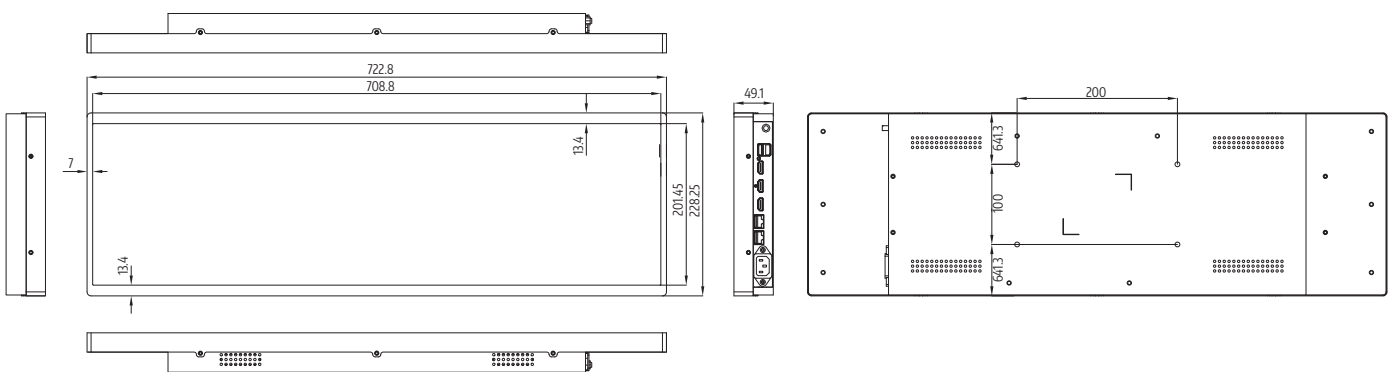
Power Cable	x 1
Wifi Antenna	x 1

### Warranty

Warranty	Three year or by contract
----------	---------------------------

### Dimensions

Unit: mm



\* Compatibility may differ by equipment.  
 \* Software compatibility may change over time. Please contact your regional sales representative for details.  
 \* Specifications are subject to change without notice, so please contact sales team to verify before ordering