

## Stretched Display BSC Series

Geephon BSC series of smart stretched displays is ideal for retail product display. With the splicing feature, it's able to display products any way you want. Widely used in supermarkets, shops, shopping malls, banks, transportation, metro, bus, hotel, government places, etc



BSC5923A-AA-07



### • Optimal Visual Clarity

- High-performance image processor.
- Delivers true color expression and high resolution.
- Offers adjustable picture quality and white balance.



### • Extended Product Warranty

- Engineered for long-term durability.
- Guarantees reliable 24/7 operation.
- Comprehensive warranty ensures customer satisfaction and confidence.



### • Enhanced Component Design

- Lightweight design for easy handling.
- Constructed with high-strength aluminum alloy for durability.
- Modular components facilitate maintenance and replacement.



### • GPlay Convenient U disk

- Simply insert the U disk for automatic content copying and playback on the device upon booting



### • Fail Over Support

### • IPS Panel



### • CMS / Remote Management Support (optional)

- Cloud-based remote management (CetusMSC) and CMS platform (GalaxyASC) support.
- Real-time monitoring of display status, parameters adjustment, and content distribution.
- Remote control via PC and Smart phone.



### • 178° Wide Viewing Angle



### • Built-in Speaker



### • Open API & SDK Support and RS232 Compatible



### • OTA Firmware Update

- Enables remote firmware and application updates.
- Designed for seamless upgrades.



### • Landscape/Portrait Compatible

- Portrait and landscape display orientations.

## Specification

### Hardware Specification

|                           |   |
|---------------------------|---|
| Panel                     | IPS   |
| Display Size              | 58.5 inch   |
| Protection Glass          | N/A   |
| Protection Level          | IP 5X (Front Panel)                               |
| Front Color               | Black   |
| Shell                     | Aluminum  |
| Set Dimension (L*W*D)     | 1444.08 x 420.36 x 58.1mm                         |
| Active Display Area (H*V) | 1428.48 x 401.76mm                                |
| Resolution                | 1920 x 540  |
| Type                      | D-LED BLU   |
| Brightness(Typ.)          | 700 cd/m <sup>2</sup>                             |
| Contrast Ratio(Typ.)      | 1200:1  |
| Viewing Angle(H/V)        | 178°(H) x 178°(V)(CR≥10)                          |
| Display Colors            | 1.07G(8bits + FRC)                                |
| Color Gamut               | 72%   |
| Response Time             | 8ms (Typ)   |
| Operation Hour            | 24/7  |
| Panel Orientation         | Landscape/ Portrait                               |
| Smart Solution            | PTC.DT1AHE-LAB                                    |
| Connectivity              | USB2.0*2, HDMI In*2, HDMI Out*1, Ethernet(RJ45)*2 |
| Power                     | Input Supply: 100-240V AC , 50/60Hz               |
| Power Consumption         | 250W  |
| Speaker                   | 2W/8Ω*2   |
| IR                        | N/A   |
| Touch                     | N/A   |
| Camera                    | N/A   |
| Installation              | Wall mount  |
| VESA Mount                | 400 x 300mm                                       |
| Package(W*H*D)            | 1540 x 520 x 250mm                                |
| Weight (kg)               | N.W: 12.8kg G.W: 28kg(2 Pcs inside)               |
| Operating Temperature     | 0°C ~ +40°C                                       |
| Storage                   | -10°C ~ +60°C                                     |

### System Specification

|                      |  |
|----------------------|--|
| CPU                  | ARM Quad Core Cortex-A53 1.5G                  |
| GPU                  | ARM Mali-G52 2EE MC1                           |
| Operating System     | Android 9                                      |
| Cloud Advertising    | Optional                                       |
| Distribution System  |  |
| Cloud Splice System  | Optional                                       |
| Memory               | DDR 2G   |
| Storage              | EMMC 16GB                                      |
|                      | Ethemnet (RJ45)                                |
| Ethernet             | WiFi 802.11b/g/n<br>4G LTE(FDD/TDD) (Optional) |
| Panel Image Rotation | 0/90/180/270/360 Angle Rotation                |
| Video Decoder        | MPEG-1/2/4,H.264,HEVC,VP8,VP9,AVS+,AVS2,AV1    |
| Audio Decoder        | MPEG-1,MPEG-2(layerI/II) MP3,AAC-LC,HE-AAC     |
| Picture Decoding     | JPG, JPEG, PNG, BMP                            |

### What's in the box

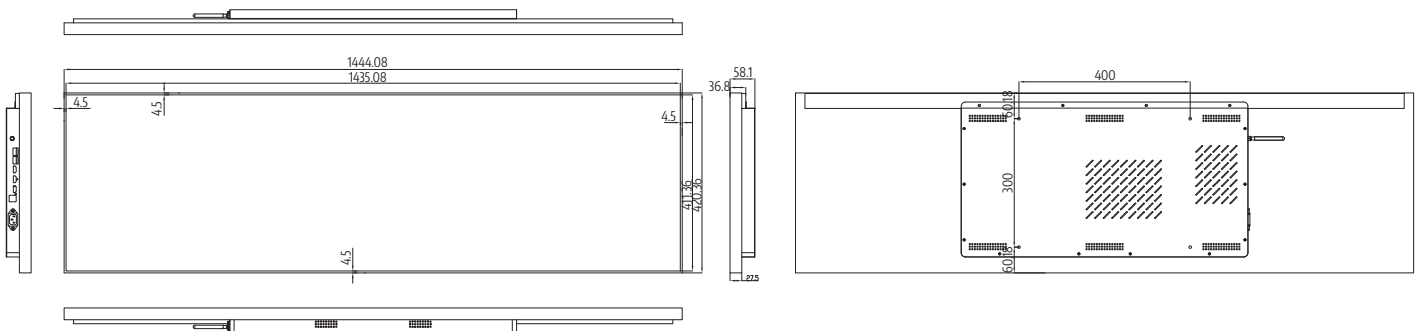
|              |     |
|--------------|-----|
| Power Cable  | x 1 |
| Wifi Antenna | x 1 |

### Warranty

|          |                           |
|----------|---------------------------|
| Warranty | Three year or by contract |
|----------|---------------------------|

### Dimensions

Unit: mm



\* Compatibility may differ by equipment.  
 \* Software compatibility may change over time. Please contact your regional sales representative for details.  
 \* Specifications are subject to change without notice, so please contact sales team to verify before ordering