

Equal Bezel Display CTC Series



Geephon 13" CTC Series LCD Display. Enhance your visual presentations with precision and elegance, perfectly suited for various exhibition halls, transportation centers, and restaurants. Experience outstanding visual performance with high-definition resolution and remarkable color accuracy. The smooth capacitive touch functionality offers an impeccable interactive experience. Choose Geephon for unmatched display quality.

CTC1324A-AA-03



• Slim body

- Narrow bezel Lightweight portable design, low space requirements, easy carry and installation



• Narrow Bezel

- 19mm Narrow bezel, enjoy the borderless View



• Physics Tempered Glass

- The screen is protected by tempered glass to prevent accidental impact damage



• Plug & Play Touch Solution

- PCAP touch technologies.



GalaxyASC
MSC

• CMS / MSC Support(optional)

- Cloud-based remote management (CetusMSC) and CMS platform (GalaxyASC) support
- Real-time monitoring of display status, parameters adjustment, and content distribution
- Remote control via PC and smart phone



• GPlay™ Convenient U disk

- Simply insert the U disk for automatic content copying and playback on the device upon booting



IPS

• IPS Panel



• Open API / SDK / RS232 Control

- Supports SDK development and offers OpenAPI interface



• 24/7

- Commercial-grade screen supports 24/7 operation

Specification

Hardware Specification

Display Size	13 inch
Protection Glass	Physics Tempered Glass
Front Color / Back Color	Black
Set Dimension (L*W*D)	332.4 x 206.4 x 55.2mm
Active Display Area (H*V)	293.76 x 165.24mm
Resolution	1920 x 1080
Brightness(Typ.)	250 cd/m ²
Contrast Ratio(Typ.)	1000:1
Viewing Angle(H/V)	178°(H) x 178°(V)(CR≥10)
Operation Hour	24/7
Connectivity	Ethernet(RJ45)*1, USB2.0*1, HDMI in*1 DC in*1, type-C*1, Line Out*1
Power	Input Supply: 12V 3A DC(Support POE)
Speaker	2W *2 (Optional)
Touch Technology	10 Point Touch Projected Capacitive
Installation	Wall mount
Package(W*H*D)	385 x 280 x 110mm
Weight (kg)	N.W: 1.8kg G.W:2.2kg

System Specification

CPU	ARM Quad Core Cortex-A53 1.5G
GPU	ARM Mali-G52 2EE MC1
Operating System	Android 9
Cloud Advertising	Optional
Distribution System	Optional
Cloud Splice System	Optional
Memory	DDR 2G
Storage	EMMC 16GB
Ethernet	Ethernet (RJ45) WiFi 802.11b/g/n 4G LTE(FDD/TDD)(Optional)
Panel Image Rotation	0/90/180/270/360 Angle Rotation
Video Decoder	MPEG-1/2/4,H.264,HEVC,VP8,VP9,AVS+,AVS2,AV1
Audio Decoder	MPEG-1,MPEG-2(layerI/II),MP3,AAC-LC,HE-AAC
Picture Decoding	JPG,JPEG ,PNG ,BMP

What's in the box

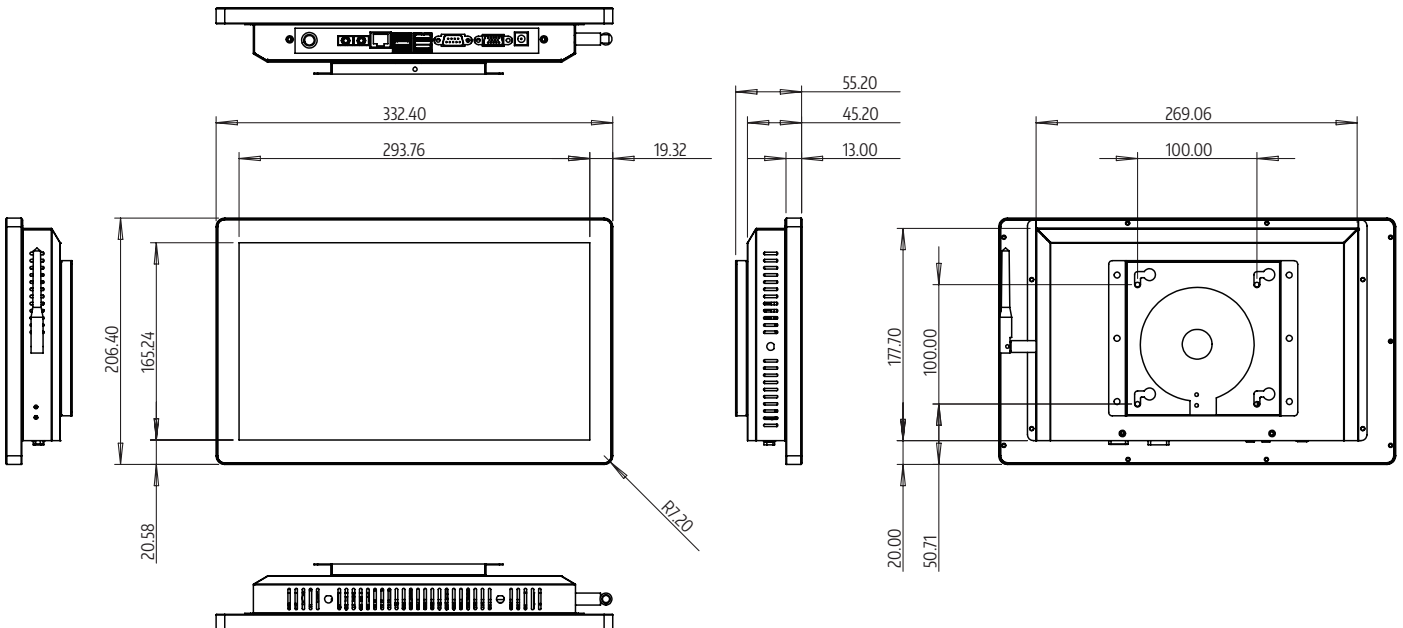
Power Adapter	x 1
---------------	-----

Warranty

Warranty	Three years or by contract
----------	----------------------------

Dimensions

Unit: mm



* Compatibility may differ by equipment.
 * Software compatibility may change over time. Please contact your regional sales representative for details.
 * Specifications are subject to change without notice, so please contact sales team to verify before ordering